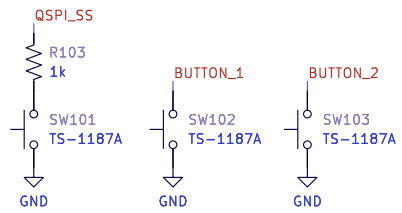
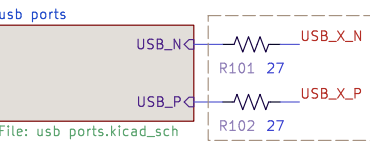
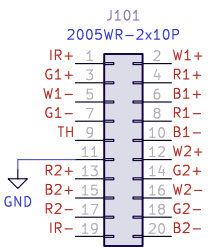
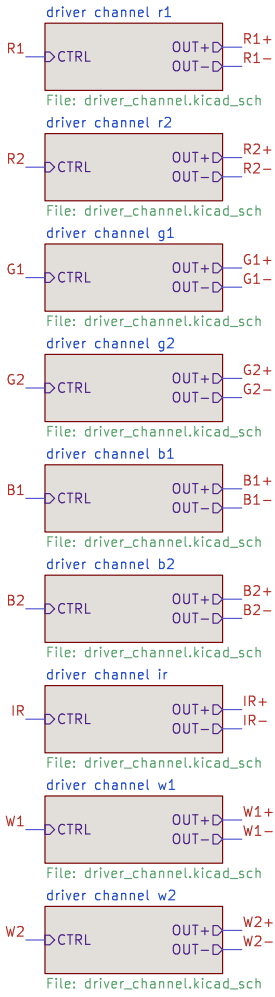
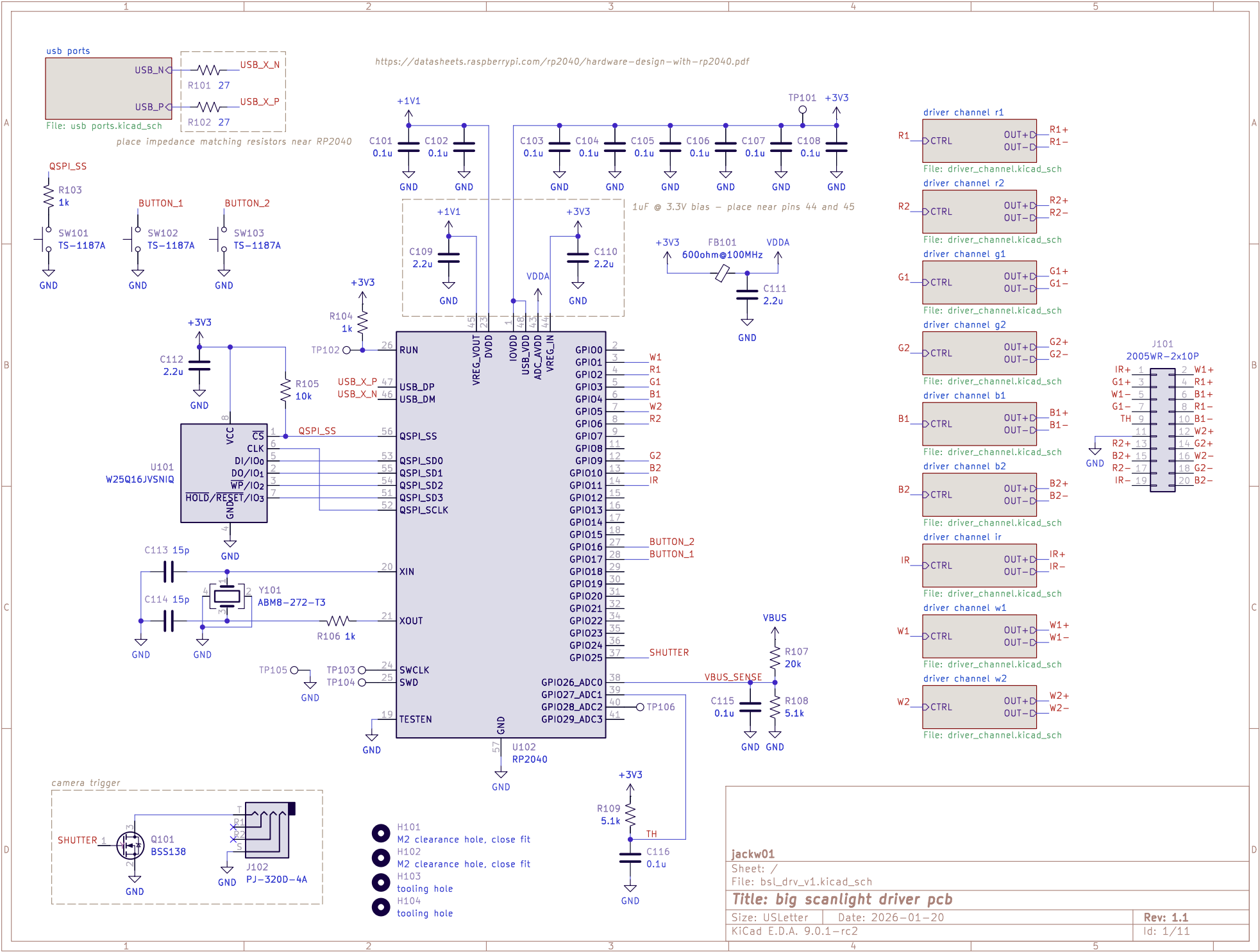
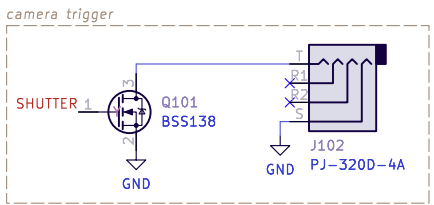


<https://datasheets.raspberrypi.com/rp2040/hardware-design-with-rp2040.pdf>



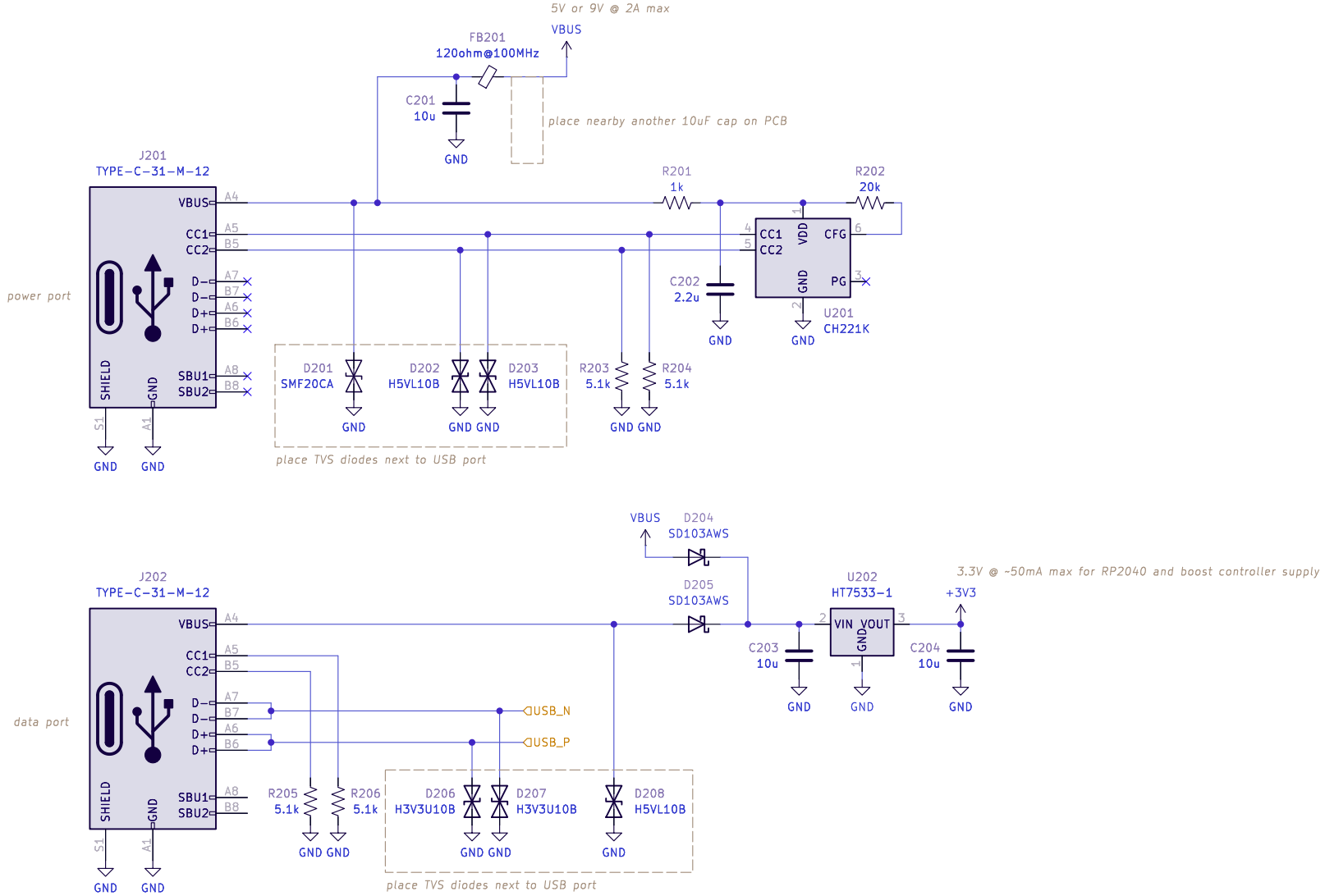
place impedance matching resistors near RP2040

1uF @ 3.3V bias - place near pins 44 and 45



- H101
- M2 clearance hole, close fit
- H102
- M2 clearance hole, close fit
- H103
- tooling hole
- H104
- tooling hole

jackw01	
Sheet: /	
File: bsL_drv_v1.kicad_sch	
Title: big scanlight driver pcb	
Size: USLetter	Date: 2026-01-20
KiCad E.D.A. 9.0.1-rc2	Rev: 1.1
	Id: 1/11



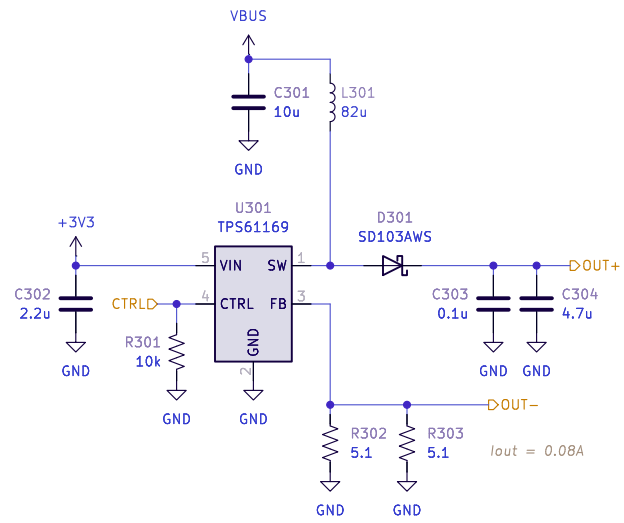
jackw01

Sheet: /usb ports/
File: usb ports.kicad_sch

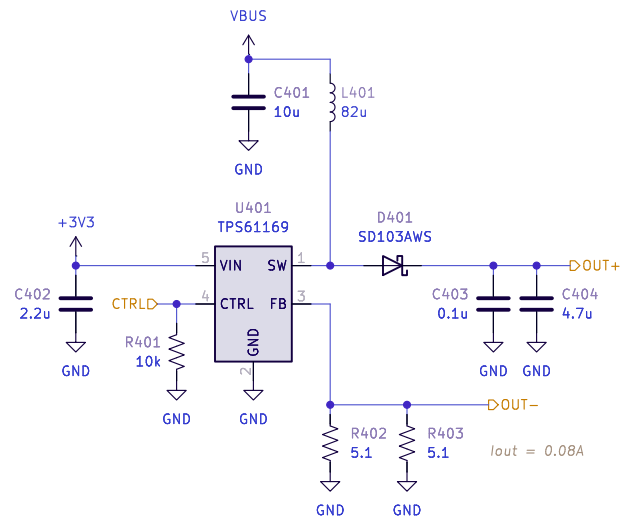
Title: big scanlight driver pcb

Size: USLetter | Date: 2026-01-20
KiCad E.D.A. 9.0.1-rc2

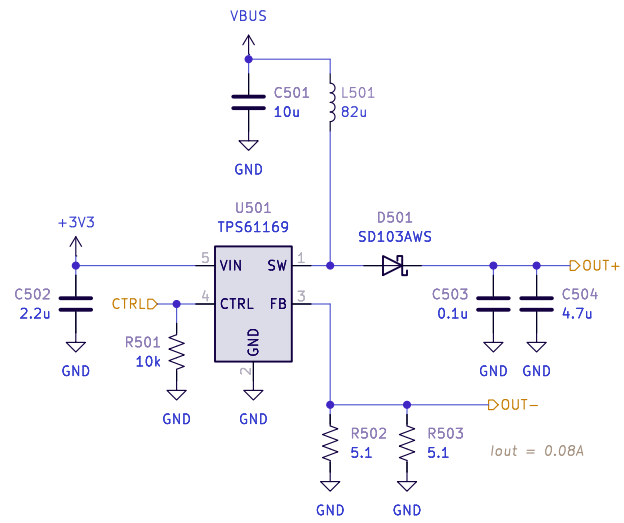
Rev: 1.1
Id: 2/11



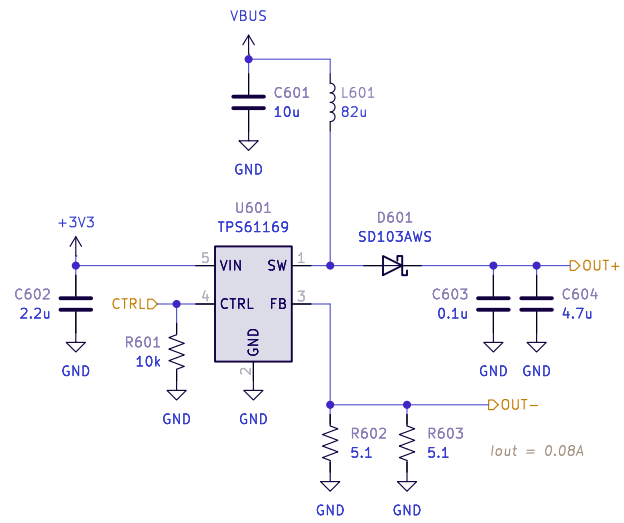
jackw01	
Sheet: /driver channel r1/ File: driver_channel.kicad_sch	
Title: big scanlight driver pcb	
Size: USLetter	Date: 2026-01-20
KiCad E.D.A. 9.0.1-rc2	Rev: 1.1 Id: 3/11



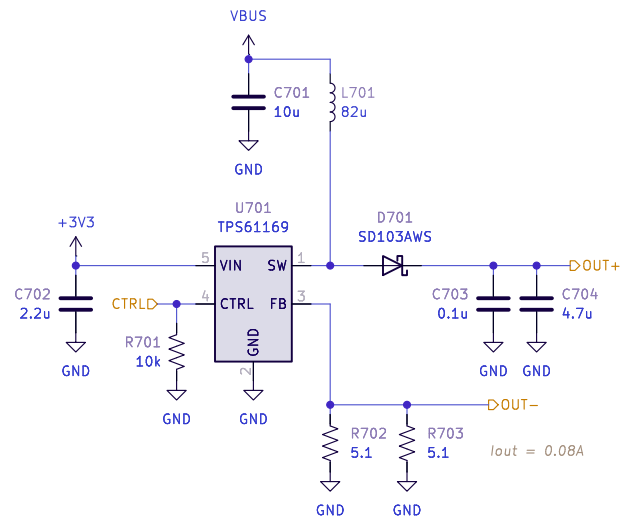
jackw01	
Sheet: /driver channel r2/ File: driver_channel.kicad_sch	
Title: big scanlight driver pcb	
Size: USLetter	Date: 2026-01-20
KiCad E.D.A. 9.0.1-rc2	Rev: 1.1 Id: 4/11



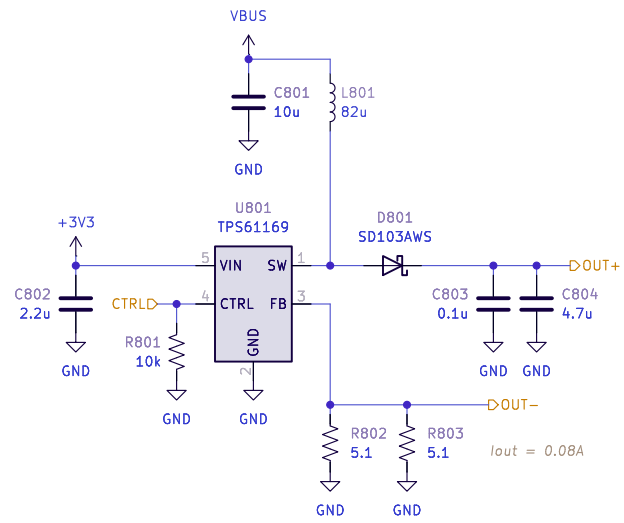
jackw01	
Sheet: /driver channel g1/ File: driver_channel.kicad_sch	
Title: big scanlight driver pcb	
Size: USLetter	Date: 2026-01-20
KiCad E.D.A. 9.0.1-rc2	Rev: 1.1 Id: 5/11



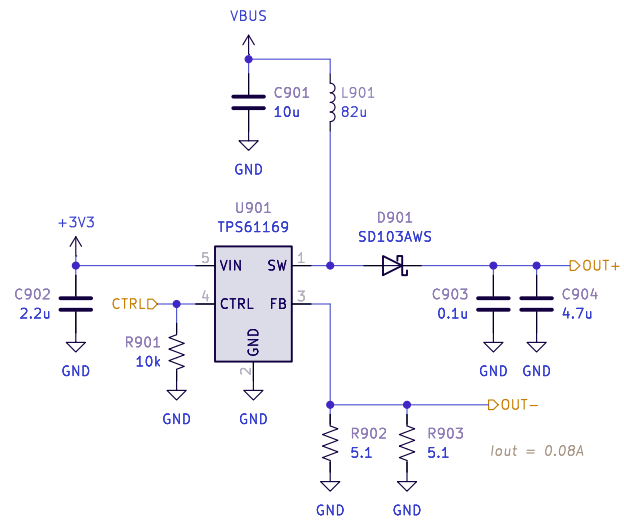
jackw01	
Sheet: /driver channel g2/ File: driver_channel.kicad_sch	
Title: big scanlight driver pcb	
Size: USLetter	Date: 2026-01-20
KiCad E.D.A. 9.0.1-rc2	Rev: 1.1 Id: 6/11



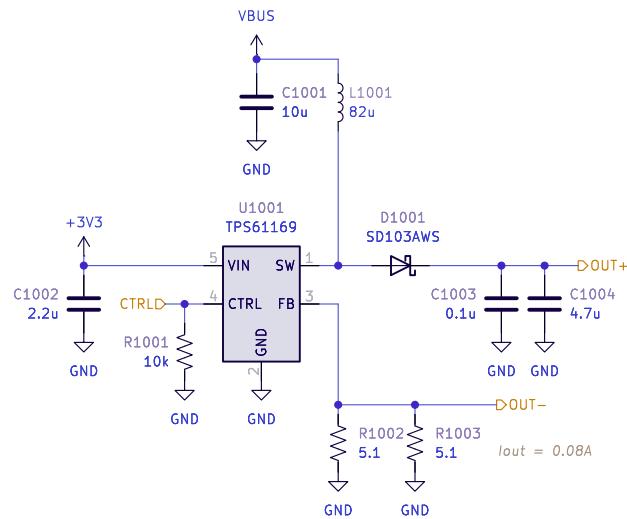
jackw01	
Sheet: /driver channel b1/ File: driver_channel.kicad_sch	
Title: big scanlight driver pcb	
Size: USLetter	Date: 2026-01-20
KiCad E.D.A. 9.0.1-rc2	Rev: 1.1 Id: 7/11



jackw01	
Sheet: /driver channel b2/ File: driver_channel.kicad_sch	
Title: big scanlight driver pcb	
Size: USLetter	Date: 2026-01-20
KiCad E.D.A. 9.0.1-rc2	Rev: 1.1 Id: 8/11



jackw01	
Sheet: /driver channel ir/ File: driver_channel.kicad_sch	
Title: big scanlight driver pcb	
Size: USLetter	Date: 2026-01-20
KiCad E.D.A. 9.0.1-rc2	Rev: 1.1 Id: 9/11



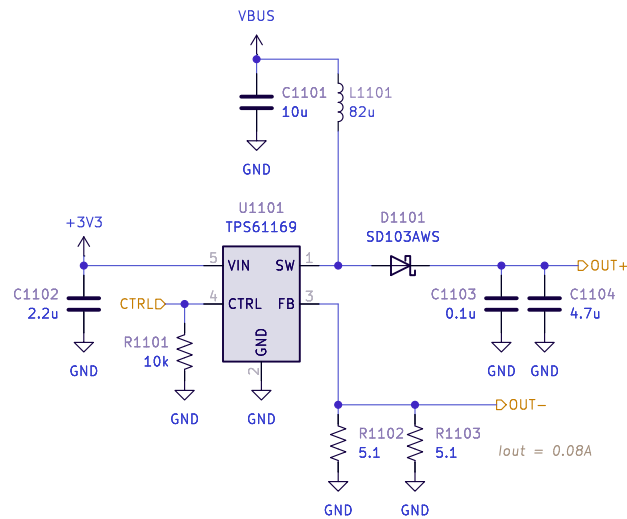
jackw01

Sheet: /driver channel w1/
 File: driver_channel.kicad_sch

Title: big scanlight driver pcb

Size: USLetter | Date: 2026-01-20
 KiCad E.D.A. 9.0.1-rc2

Rev: 1.1
 Id: 10/11



jackw01

Sheet: /driver channel w2/
 File: driver_channel.kicad_sch

Title: big scanlight driver pcb

Size: USLetter | Date: 2026-01-20
 KiCad E.D.A. 9.0.1-rc2

Rev: 1.1
 Id: 11/11