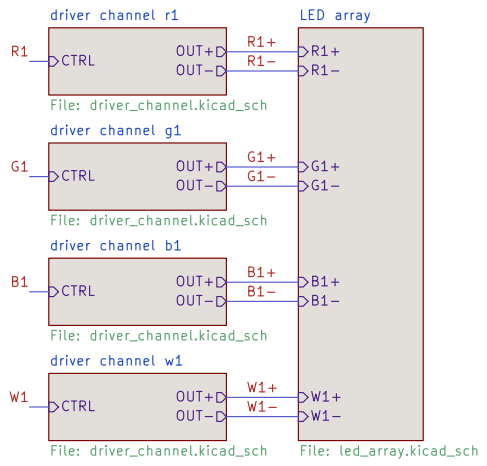
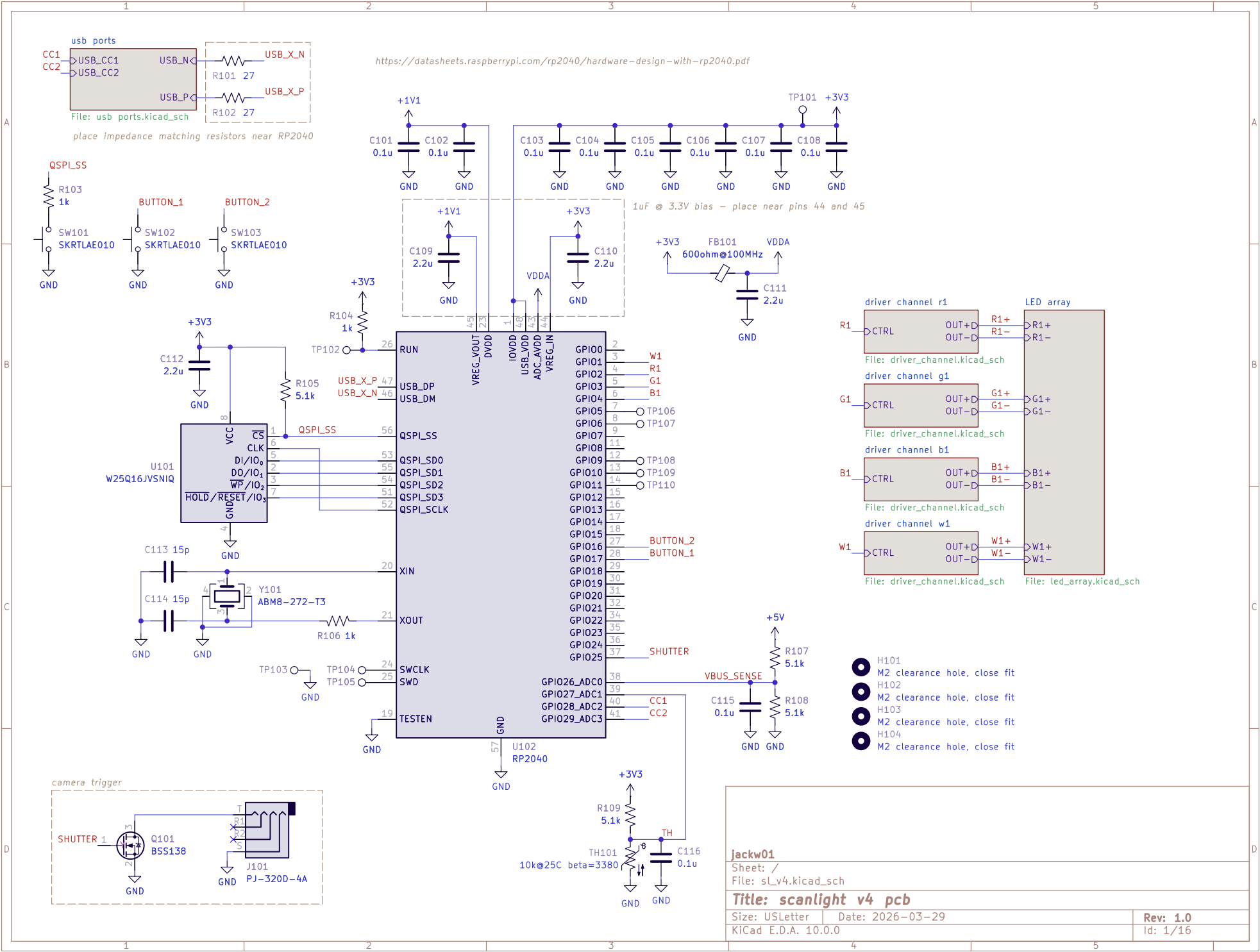


<https://datasheets.raspberrypi.com/rp2040/hardware-design-with-rp2040.pdf>

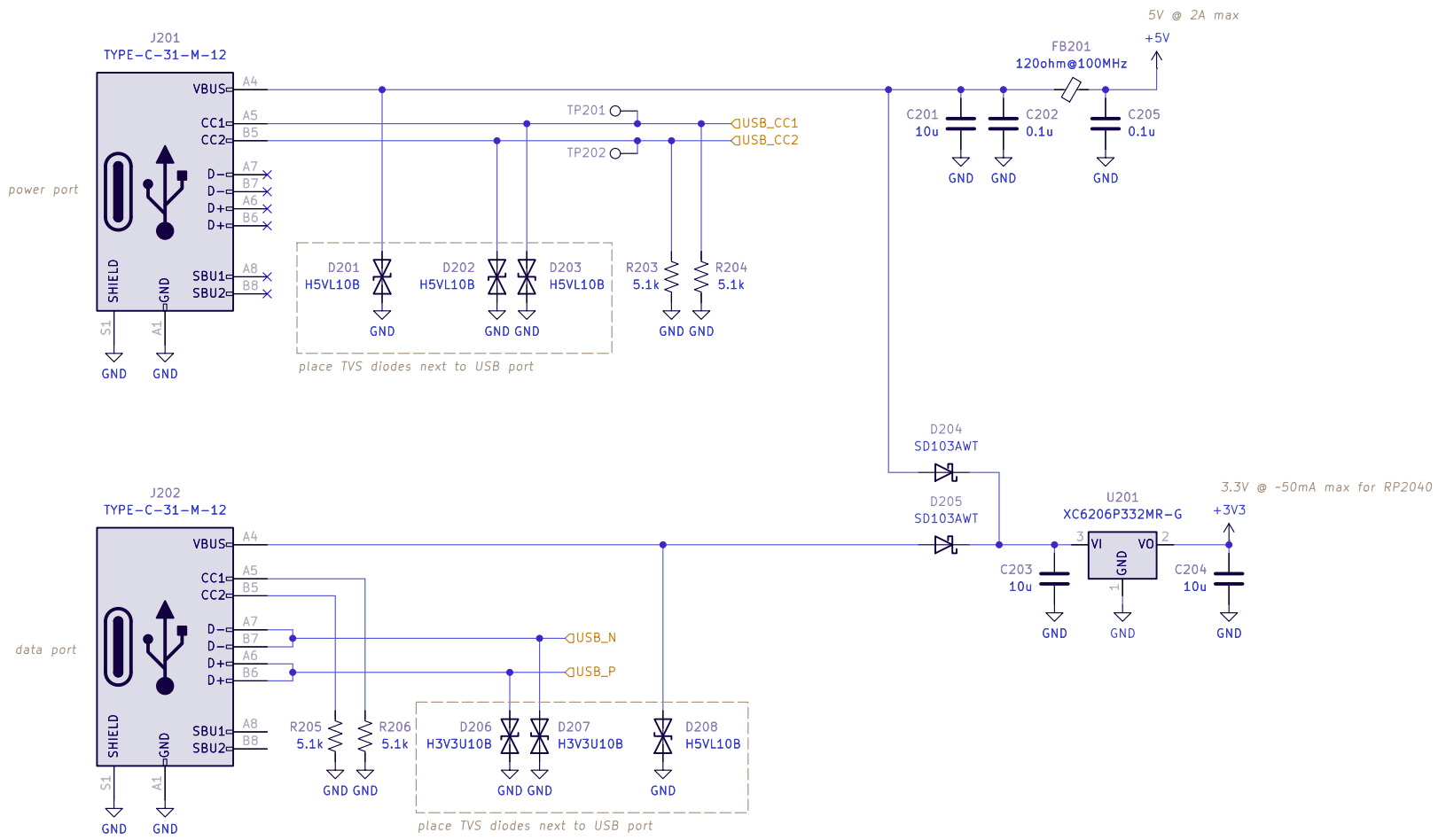


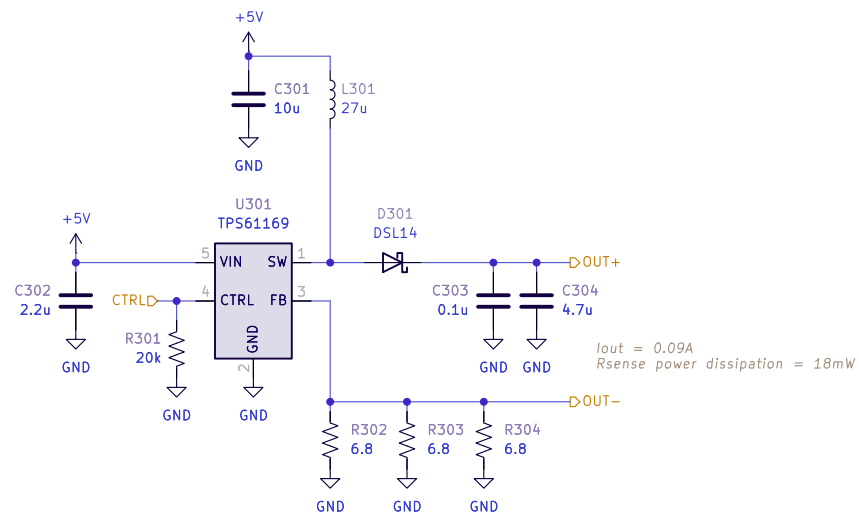
- H101
- M2 clearance hole, close fit
- H102
- M2 clearance hole, close fit
- H103
- M2 clearance hole, close fit
- H104
- M2 clearance hole, close fit

jackw01
 Sheet: /
 File: sLv4.kicad_sch

Title: scanlight v4 pcb

Size: USLetter	Date: 2026-03-29	Rev: 1.0
KiCad E.D.A. 10.0.0		Id: 1/16





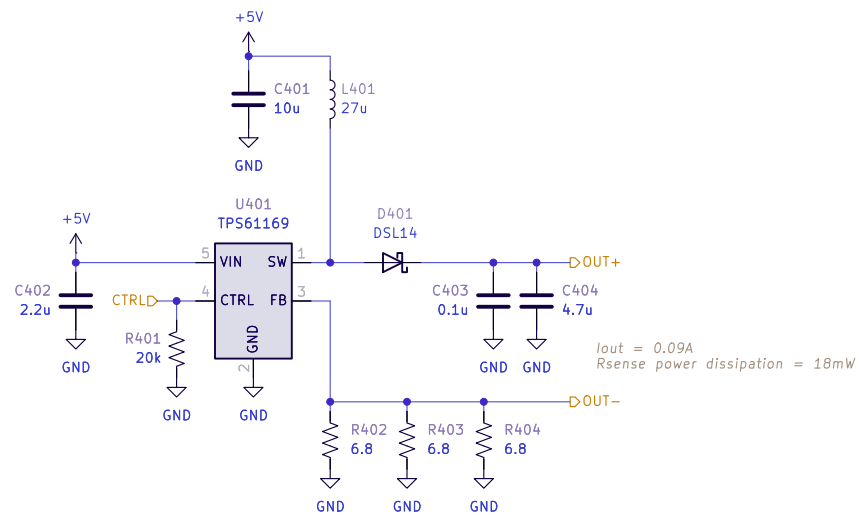
jackw01

Sheet: /driver channel r1/
 File: driver_channel.kicad_sch

Title: scanlight v4 pcb

Size: USLetter | Date: 2026-03-29
 KiCad E.D.A. 10.0.0

Rev: 1.0
 Id: 3/16



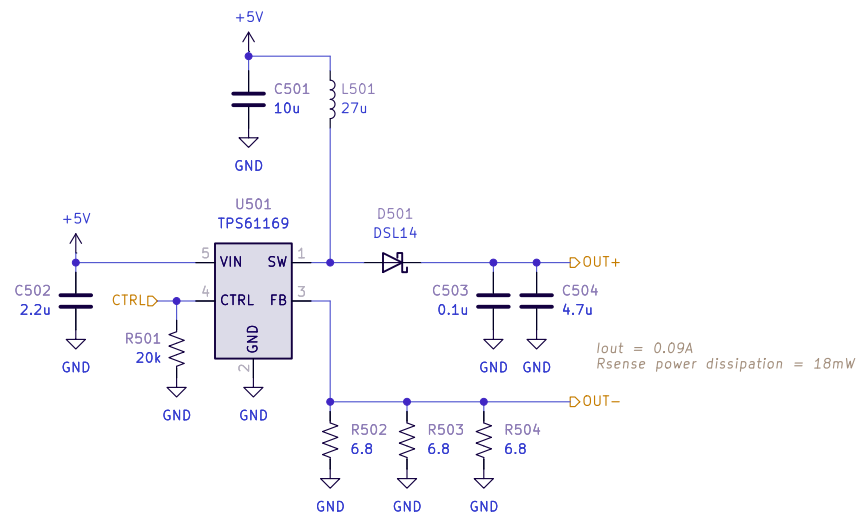
jackw01

Sheet: /driver channel g1/
 File: driver_channel.kicad_sch

Title: scanlight v4 pcb

Size: USLetter | Date: 2026-03-29
 KiCad E.D.A. 10.0.0

Rev: 1.0
 Id: 4/16



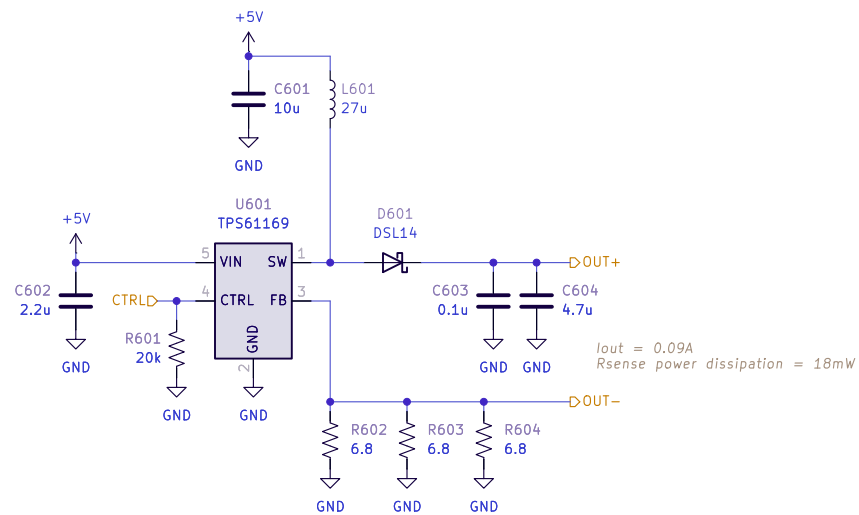
jackw01

Sheet: /driver channel b1/
 File: driver_channel.kicad_sch

Title: scanlight v4 pcb

Size: USLetter | Date: 2026-03-29
 KiCad E.D.A. 10.0.0

Rev: 1.0
 Id: 5/16



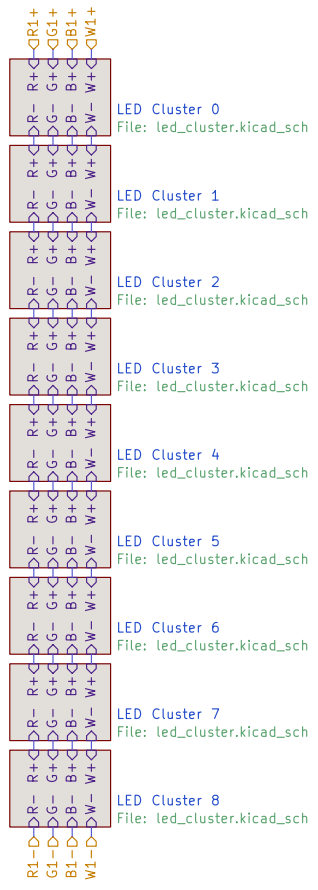
jackw01

Sheet: /driver channel w1/
 File: driver_channel.kicad_sch

Title: scanlight v4 pcb

Size: USLetter | Date: 2026-03-29
 KiCad E.D.A. 10.0.0

Rev: 1.0
 Id: 6/16



LED Cluster 0
File: led_cluster.kicad_sch

LED Cluster 1
File: led_cluster.kicad_sch

LED Cluster 2
File: led_cluster.kicad_sch

LED Cluster 3
File: led_cluster.kicad_sch

LED Cluster 4
File: led_cluster.kicad_sch

LED Cluster 5
File: led_cluster.kicad_sch

LED Cluster 6
File: led_cluster.kicad_sch

LED Cluster 7
File: led_cluster.kicad_sch

LED Cluster 8
File: led_cluster.kicad_sch

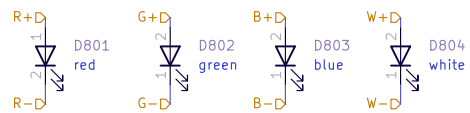
jackw01

Sheet: /LED array/
File: led_array.kicad_sch

Title: scanlight v4 pcb

Size: USLetter | Date: 2026-03-29
KiCad E.D.A. 10.0.0

Rev: 1.0
Id: 7/16



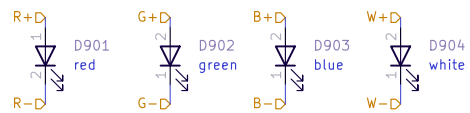
jackw01

Sheet: /LED array/LED Cluster 0/
File: led_cluster.kicad_sch

Title: scanlight v4 pcb

Size: USLetter | Date: 2026-03-29
KiCad E.D.A. 10.0.0

Rev: 1.0
Id: 8/16



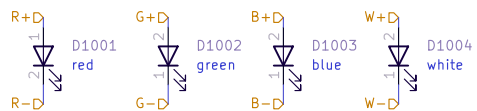
jackw01

Sheet: /LED array/LED Cluster 1/
File: led_cluster.kicad_sch

Title: scanlight v4 pcb

Size: USLetter | Date: 2026-03-29
KiCad E.D.A. 10.0.0

Rev: 1.0
Id: 9/16



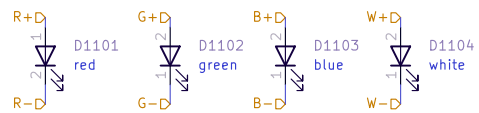
jackw01

Sheet: /LED array/LED Cluster 2/
File: led_cluster.kicad_sch

Title: scanlight v4 pcb

Size: USLetter | Date: 2026-03-29
KiCad E.D.A. 10.0.0

Rev: 1.0
Id: 10/16



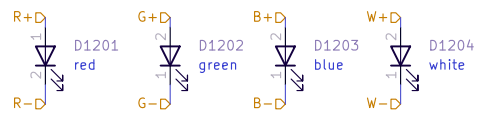
jackw01

Sheet: /LED array/LED Cluster 3/
File: led_cluster.kicad_sch

Title: scanlight v4 pcb

Size: USLetter | Date: 2026-03-29
KiCad E.D.A. 10.0.0

Rev: 1.0
Id: 11/16



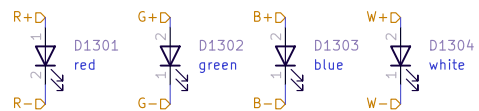
jackw01

Sheet: /LED array/LED Cluster 4/
File: led_cluster.kicad_sch

Title: scanlight v4 pcb

Size: USLetter | Date: 2026-03-29
KiCad E.D.A. 10.0.0

Rev: 1.0
Id: 12/16



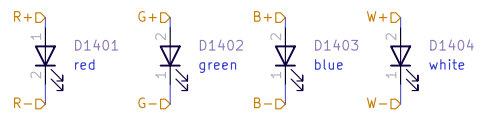
jackw01

Sheet: /LED array/LED Cluster 5/
File: led_cluster.kicad_sch

Title: scanlight v4 pcb

Size: USLetter | Date: 2026-03-29
KiCad E.D.A. 10.0.0

Rev: 1.0
Id: 13/16



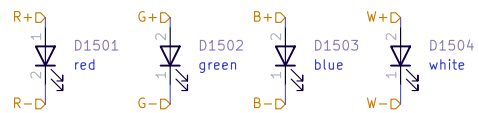
jackw01

Sheet: /LED array/LED Cluster 6/
File: led_cluster.kicad_sch

Title: scanlight v4 pcb

Size: USLetter | Date: 2026-03-29
KiCad E.D.A. 10.0.0

Rev: 1.0
Id: 14/16



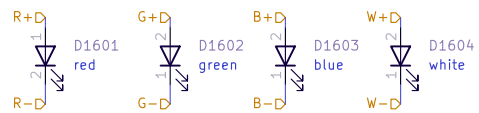
jackw01

Sheet: /LED array/LED Cluster 7/
File: led_cluster.kicad_sch

Title: scanlight v4 pcb

Size: USLetter | Date: 2026-03-29
KiCad E.D.A. 10.0.0

Rev: 1.0
Id: 15/16



jackw01

Sheet: /LED array/LED Cluster 8/
File: led_cluster.kicad_sch

Title: scanlight v4 pcb

Size: USLetter | Date: 2026-03-29
KiCad E.D.A. 10.0.0

Rev: 1.0
Id: 16/16